

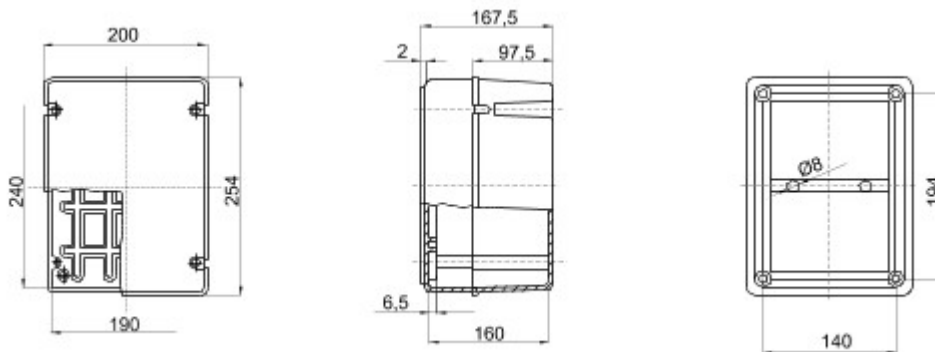


Produkty z serii 44 CE stanowią wodoszczelne puszki instalacyjne do montażu natynkowego zgodne z normami EN 60670-1 (CEI 23-48) oraz IEC 60670-22 (CEI 23-94) oraz wykonane z technopolimerów o wysokiej wytrzymałości.. W tej serii produktów znajdują się wersje o stopniu ochrony IP44, IP55, IP56 z gładkimi ściankami lub wyposażone w dławiki kablowe do szybkiego montażu oraz różne rodzaje pokrywy: zaślepiające / przezroczyste, wklęsłe / płaskie, wciskane / wkręcane (wykonane z tworzywa sztucznego, również wkręcane na 1/4 obrotu, lub wykonane z metalu).. Produkty dostępne są w wykonaniu z wielu rodzajów materiałów samogasnących (do 960 °C w próbie rozżarzonym drutem).. Nadają się do przyłączy zwykłych, do zastosowań specjalnych, a także do zastosowań przemysłowych..

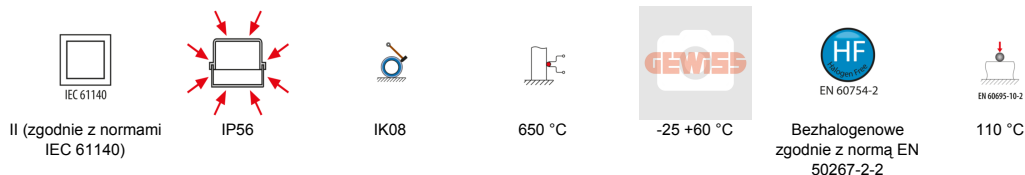
Klasa Izolacji	II (zgodnie z normami IEC 61140)	Kolor	Szary RAL 7035
Ochrona IP	IP56	Materiał	Technopolimerowy GWPLAST 120
Odporność na wstrząsy	IK08	Wymiary wewnętrzne LxHxD (mm)	240x190x160
Maks. Ø otworów, możliwa	37 mm	Śruby pokrywy (liczba i typ)	4 izolacja, plombowane, na zawias
Zastosowanie	Do zastosowań przemysłowych	Próba rozżarzonym drutem	650 °C
Kolor pokrywki	Przezroczysty	Pokrywka	Głęboka wkręcana
Temperatura robocza	-25 +60 °C	Rodzaj materiału	Bezhalogenowe zgodnie z normą EN 50267-2-2
Electrocod	0231	Twardość kulkowa	110 °C
Moment dokręcania moment dokręcania śrub	1.8 NM	Ściany	Gładki
Wyposażenie dodatkowe do przywrócenia izolacji	GW44621, GW44622		



DIMENSIONAL



TECHNICAL SYMBOLOGY



STANDARDS/APPROVALS



44 CE RANGE - SURFACE-MOUNTING JUNCTION BOXES

Technopolymer GW PLAST 75					Technopolymer GW PLAST 120			
Thermo-pressure with ball: 85°C					Thermo-pressure with ball: 110°C			
Glow Wire Test: 960°C - UL94 V0					Glow Wire Test: 650°C - UL94: HB			
For special uses (e.g. raised floors, suspended ceilings...)					For industrial uses			
IP44	IP55		IP56		IP56			
with quick entry cable glands	with quick entry cable glands		smooth		smooth			
standard	standard		standard		standard			
blank plain	1/4 turn screws blank plain	blank plain	blank plain	deep blank	blank plain	deep blank	transparent plain	transparent deep
GW 44 051 GW 44 051 R (*)								
GW 44 052								
GW 44 053 GW 44 053 R (*)								
	GW 44 054 GW 44 054 R (*)		GW 44 274	GW 44 254	GW 44 404	GW 44 414		
		GW 44 055	GW 44 275	GW 44 255	GW 44 405	GW 44 415		
	GW 44 056 GW 44 056 R (*)		GW 44 276	GW 44 256	GW 44 406	GW 44 416	GW 44 426	GW 44 436
		GW 44 057	GW 44 277 GW 44 276 C (**)	GW 44 257	GW 44 407	GW 44 417	GW 44 427	GW 44 437
		GW 44 058	GW 44 278 GW 44 277 C (**)	GW 44 258	GW 44 408	GW 44 418	GW 44 428	GW 44 438
		GW 44 059	GW 44 279	GW 44 259	GW 44 409	GW 44 419	GW 44 429	GW 44 439
		GW 44 060	GW 44 280	GW 44 260	GW 44 410	GW 44 420	GW 44 430	GW 44 440
		GW 44 061	GW 44 281	GW 44 261	GW 44 411	GW 44 421	GW 44 431	GW 44 441

TRANSPARENT LID - IP56



GW 44 427

**BOXES WITH SMOOTH WALLS FOR JUNCTIONS AND FOR ELECTRIC AND ELECTRONIC EQUIPMENT
PLAIN SCREWED LID - GREY RAL 7035**



Code	Internal dim. LxHxD (mm)	Max Ø holes possible	Lid screws (no. and type)	Pack Carton
GW 44 426	150x110x70	29 mm	4 - Stainless steel	50
GW 44 427	190x140x70	37 mm	4 insul. sealable hinged	32
GW 44 428	240x190x90	37 mm	4 insul. sealable hinged	14
GW 44 429	300x220x120	48 mm	4 insul. sealable hinged	6
GW 44 430	380x300x120	48 mm	4 insul. sealable hinged	4
GW 44 431	460x380x120	48 mm	6 insul. sealable hinged	3

ACCESSORIES SUPPLIED: GW44431 screwcaps for double insulation.

NOTES: to restore the double insulation and original IP degree of protection of the boxes, use the isolating screwcaps or the surface-mounting fixing brackets for boxes measuring at least 190x140mm.

CHARACTERISTICS: for codes GW44427; GW44428; GW44429; GW44430; GW44431 Ui=1000V in accordance with EN 60670-1 and EN 60670-22.
For applications in the photovoltaic environment, use the wall fixing brackets - code GW44621.



GW 44 437

**BOXES WITH SMOOTH WALLS FOR JUNCTIONS AND FOR ELECTRIC AND ELECTRONIC EQUIPMENT
DEEP SCREWED LID - GREY RAL 7035**



Code	Internal dim. LxHxD (mm)	Max Ø holes possible	Lid screws (no. and type)	Pack Carton
GW 44 436	150x110x140	29 mm	4 - Stainless steel	24
GW 44 437	190x140x140	37 mm	4 insul. sealable hinged	16
GW 44 438	240x190x160	37 mm	4 insul. sealable hinged	12
GW 44 439	300x220x180	48 mm	4 insul. sealable hinged	7
GW 44 440	380x300x180	48 mm	4 insul. sealable hinged	3
GW 44 441	460x380x180	48 mm	6 insul. sealable hinged	2

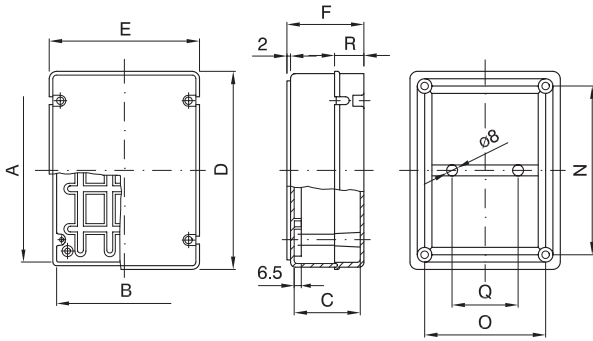
ACCESSORIES SUPPLIED: GW44441 screwcaps for double insulation.

NOTES: to restore the double insulation and original IP degree of protection of the boxes, use the isolating screwcaps or the surface-mounting fixing brackets for boxes measuring at least 190x140mm.

CHARACTERISTICS: for codes GW44437; GW44438; GW44439; GW44440; GW44441 Ui=1000V in accordance with EN 60670-1 and EN 60670-22.
For applications in the photovoltaic environment, use the wall fixing brackets - code GW44621.

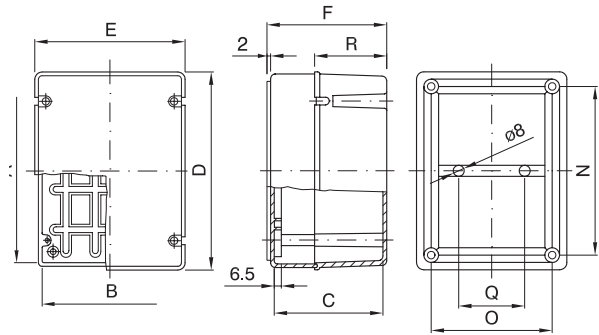
44 CE

44 CE RANGE - JUNCTION BOXES WITH SMOOTH WALLS - PLAIN LID



Code	A	B	C	D	E	F	N	O	Q	R
GW 44 207										
GW 44 277C										
GW 44 277	190	140	70	200	154	79	144	98	-	25
GW 44 407										
GW 44 427										
GW 44 208										
GW 44 278	240	190	90	254	200	98	194	140	-	28
GW 44 408										
GW 44 428										
GW 44 209										
GW 44 279	300	220	120	316	236	128	250	170	-	49.5
GW 44 409										
GW 44 429										
GW 44 210										
GW 44 280	380	300	120	396	316	128	331	251	124	49.5
GW 44 410										
GW 44 430										
GW 44 211										
GW 44 281	460	380	120	474	396	128	380	310	300	49.5
GW 44 411										
GW 44 431										

44 CE RANGE - JUNCTION BOXES WITH SMOOTH WALLS - DEEP LID



Code	A	B	C	D	E	F	N	O	Q	R
GW 44 217										
GW 44 417	190	140	140	200	154	148	144	98	-	94
GW 44 437										
GW 44 257										
GW 44 218										
GW 44 418	240	190	160	254	200	167.5	194	140	-	97.5
GW 44 438										
GW 44 258										
GW 44 219										
GW 44 419	300	220	180	316	236	188	250	170	-	109.5
GW 44 439										
GW 44 259										
GW 44 220										
GW 44 420	380	300	180	396	316	188	331	251	124	109.5
GW 44 440										
GW 44 260										
GW 44 221										
GW 44 421	460	380	180	474	396	188	380	310	300	109.5
GW 44 441										
GW 44 261										

Code	Quantity		Page
	Pack/carton	Pallet	
GW 44 420	3	48	1310
GW 44 421	2	32	1310
GW 44 426	50	800	1311
GW 44 427	32	512	1311
GW 44 428	14	224	1311
GW 44 429	6	120	1311
GW 44 430	4	100	1311
GW 44 431	3	48	1311
GW 44 436	24	384	1311
GW 44 437	16	240	1311
GW 44 438	12	144	1311
GW 44 439	7	84	1311
GW 44 440	3	48	1311
GW 44 441	2	32	1311
GW 44 601	10/480	14400	1521
GW 44 602	10/240	7200	1521
GW 44 603	10/160	4800	1521
GW 44 604	10/120	2160	1521
GW 44 605	3/36	1080	1521
GW 44 606	10/100	7000	1521
GW 44 607	10/100	7000	1521
GW 44 608	10/100	7000	1521
GW 44 609	10/100	4000	1522
GW 44 610	10/100	4000	1522
GW 44 610 C	10/100	4000	1522
GW 44 611	10/100	2800	1522
GW 44 612	10/100	2000	1522
GW 44 613	1/10	1280	1522
GW 44 614	1/10	1280	1522
GW 44 615	20	2160	1312
GW 44 615	20	2160	1326
GW 44 616	20	1400	1312
GW 44 616	20	1400	1326
GW 44 617	20	1000	1312
GW 44 617	20	1000	1326
GW 44 618	5	375	1312
GW 44 619	5	275	1312
GW 44 620	10/160	2560	1313
GW 44 621	40/480	13440	1053
GW 44 621	40/480	13440	1095
GW 44 621	40/480	13440	1236
GW 44 621	40/480	13440	1258
GW 44 621	40/480	13440	1272
GW 44 621	40/480	13440	1297
GW 44 621	40/480	13440	1312
GW 44 622	10/100	14400	388
GW 44 622	10/100	14400	1052
GW 44 622	10/100	14400	1209
GW 44 622	10/100	14400	1283
GW 44 622	10/100	14400	1297
GW 44 622	10/100	14400	1312
GW 44 623	10/100	12800	1052
GW 44 623	10/100	12800	1260
GW 44 623	10/100	12800	1272
GW 44 623	10/100	12800	1297
GW 44 623	10/100	12800	1312
GW 44 625	20	2560	1312
GW 44 625	20	2560	1326
GW 44 626	20	1400	1098
GW 44 626	20	1400	1312
GW 44 626	20	1400	1326
GW 44 627	20	1000	1098
GW 44 627	20	1000	1312
GW 44 627	20	1000	1326

Code	Quantity		Page
	Pack/carton	Pallet	
GW 44 628	4	320	1098
GW 44 628	4	320	1312
GW 44 629	5	430	1312
GW 44 636	20	1620	1235
GW 44 637	20	600	1235
GW 44 638	5	260	1235
GW 44 639	5	260	1235
GW 44 646	20	1400	1235
GW 44 647	20	1200	1235
GW 44 648	4	544	1235
GW 44 649	5	360	1235
GW 44 651	1/5	1960	958
GW 44 651	1/5	1960	1232
GW 44 651	1/5	1960	1524
GW 44 652	1/25	11550	958
GW 44 652	1/25	11550	1233
GW 44 652	1/25	11550	1524
GW 44 661	10/450	13500	1521
GW 44 662	10/450	10800	1521
GW 44 663	10/300	3600	1521
GW 44 664	10/240	8640	1521
GW 44 665	10/450	12150	1521
GW 44 666	5/150	6750	1521
GW 44 667	5/150	6750	1521
GW 44 671	10/100	7000	1342
GW 44 671	10/100	7000	1392
GW 44 671	10/100	7000	1523
GW 44 672	10/100	7000	1342
GW 44 672	10/100	7000	1392
GW 44 672	10/100	7000	1523
GW 44 673	10/50	4400	1342
GW 44 673	10/50	4400	1392
GW 44 673	10/50	4400	1523
GW 44 674	10/50	3500	1342
GW 44 674	10/50	3500	1392
GW 44 674	10/50	3500	1523
GW 44 675	5/25	2750	1342
GW 44 675	5/25	2750	1392
GW 44 675	5/25	2750	1523
GW 44 676	1/10	1100	1342
GW 44 676	1/10	1100	1392
GW 44 676	1/10	1100	1523
GW 44 681	100	16000	1343
GW 44 681	100	16000	1393
GW 44 681	100	16000	1523
GW 44 682	200	62400	1343
GW 44 682	200	62400	1393
GW 44 682	200	62400	1523
GW 44 683	1/50	2000	1398
GW 44 683	1/50	2000	1523
GW 44 691	2/40	3600	959
GW 44 691	2/40	3600	1233
GW 44 691	2/40	3600	1524
GW 44 693	1/12	1200	959
GW 44 693	1/12	1200	1233
GW 44 693	1/12	1200	1524
GW 44 696	2/20	880	959
GW 44 696	2/20	880	1233
GW 44 696	2/20	880	1525
GW 44 698	1/10	600	959
GW 44 698	1/10	600	1233
GW 44 698	1/10	600	1525
GW 44 699	1/12	288	959
GW 44 699	1/12	288	1233

Code	Quantity		Page
	Pack/carton	Pallet	
GW 44 699	1/12	288	1525
GW 44 700	1/2	120	958
GW 44 700	1/2	120	1233
GW 44 704	10/100	7000	1342
GW 44 704	10/100	7000	1392
GW 44 704	10/100	7000	1522
GW 44 706	10/100	7000	1342
GW 44 706	10/100	7000	1392
GW 44 706	10/100	7000	1522
GW 44 708	10/100	5000	1342
GW 44 708	10/100	5000	1392
GW 44 708	10/100	5000	1522
GW 44 720	1/50	2000	1342
GW 44 720	1/50	2000	1392
GW 44 720	1/50	2000	1522
GW 44 808	4	120	1234
GW 44 809	4	80	1234
GW 44 810	2	50	1234
GW 44 811	2	40	1234
GW 44 818	4	120	1234
GW 44 819	4	80	1234
GW 44 820	2	50	1234
GW 44 821	2	24	1234
GW 44 852	8	144	1235
GW 44 853	8	96	1235
GW 44 854	8	96	1235
GW 44 855	8	192	1235

GW45			
GW 45 004	1	8	859
GW 45 005	1	8	859
GW 45 007	1	10	859
GW 45 008	1	9	859
GW 45 009	1	9	859
GW 45 014	1	8	859
GW 45 015	1	8	859
GW 45 017	1	7	859
GW 45 018	1	8	859
GW 45 019	1	8	859
GW 45 024	1	36	859
GW 45 025	1	36	859
GW 45 027	1	36	860
GW 45 028	1	36	860
GW 45 029	1	36	860
GW 45 034	1	30	861
GW 45 035	1	36	861
GW 45 037	1	39	861
GW 45 038	1	39	861
GW 45 039	1	39	861
GW 45 047	1	14	861
GW 45 048	1	14	861
GW 45 049	1	14	861
GW 45 054	1	6	882
GW 45 055	1	8	882
GW 45 057	1	4	883
GW 45 058	1	4	883
GW 45 059	1	4	883
GW 45 064	1	5	882
GW 45 065	1	8	882
GW 45 067	1	4	883
GW 45 068	1	4	883
GW 45 069	1	4	883
GW 45 074	1	42	882
GW 45 075	1	42	882