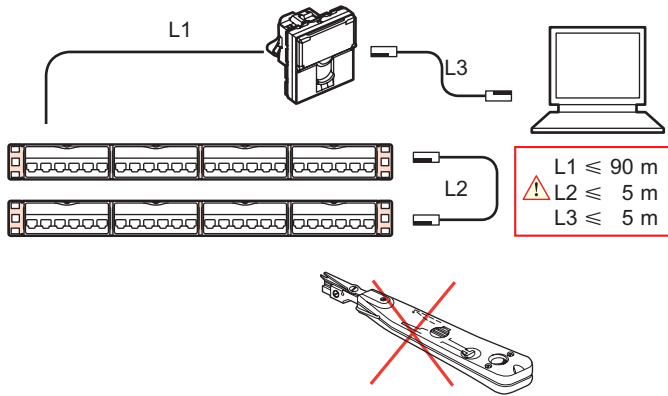


### 5. INSTALLATION

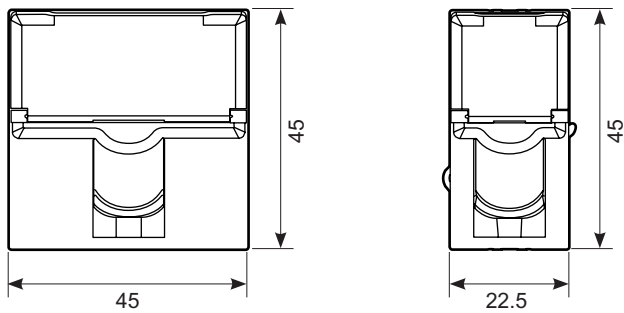


### 6. OVERALL DIMENSIONS

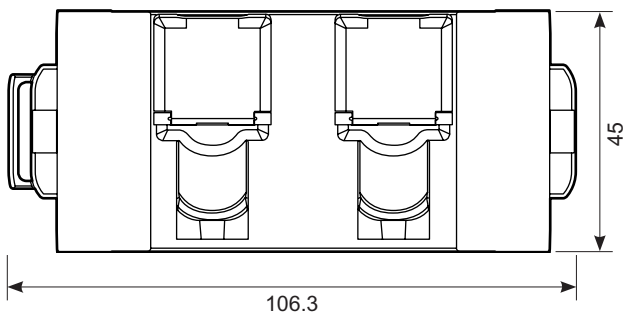
Front view:

765 54/55/97/98 - 794 54/55

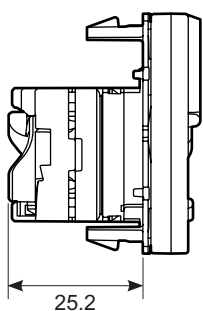
765 51/52 - 794 51/52



765 41/42



Side view:



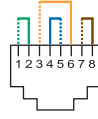
### 7. STANDARD RJ 45 CONNECTION

Takes the following plugs:

RJ 11 (4 contacts), RJ 12 (6 contacts), RJ 45 (9 contacts).

EIA/TIA 568 A and B dual colour code on terminals:

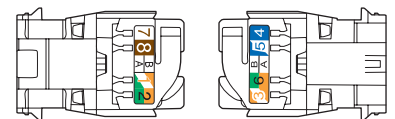
- UTP 8 contacts
- FTP 9 contacts



EIA 568 A



EIA 568 B

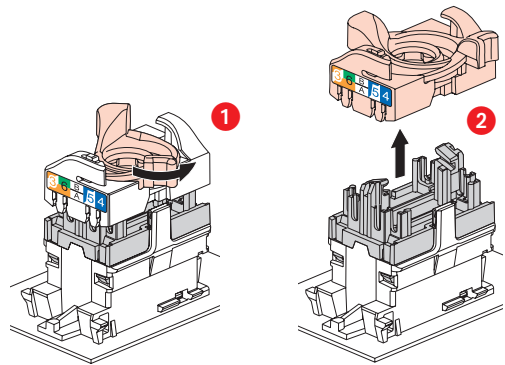


Permitted conductors:

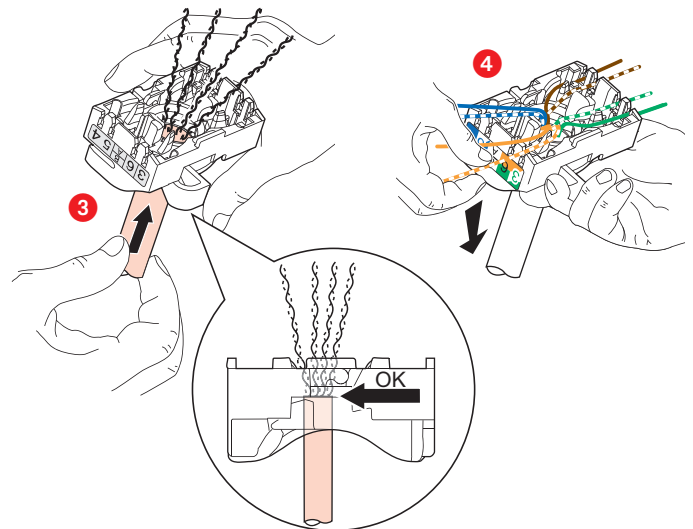
- Single-core: 0.5 to 0.65 mm, AWG 22 to 25
- Multicore: AWG 26
- Polyethylene conductor insulation: Ø max. on 1.58 mm insulation

Number of wires to be connected per connection: 1

RJ 45 connectors are equipped with a locking nut. They do not require a special tool and can be re-wired if a mistake is made.



This system allows you to spread pairs with ease before fitting them onto the connector.



Spreading the cables allows you to ensure that a pair-breakage distance of 13 mm is kept between each pair.

Spreading pairs at 90° to the cable ensures the best possible performance.

