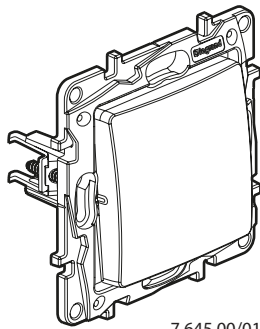
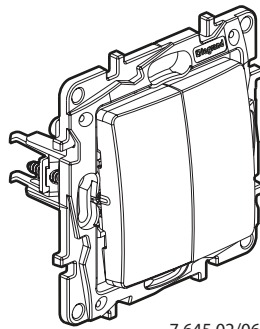


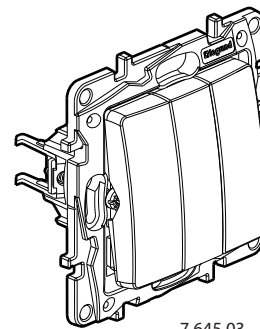
Switches and 2-way switches 10 AX



7 645 00/01  
7 646 00/01



7 645 02/06  
7 646 02/06



7 645 03  
7 646 03

1. USE

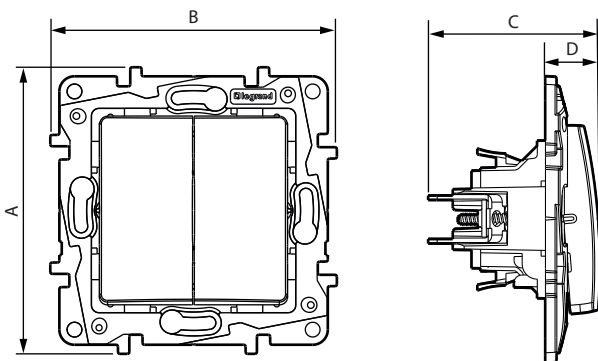
Lighting control mechanisms.  
 Supplied with rockers and support frames.  
 To be equipped with one-gang or multi-gang plates.  
 Flush or surface mounting.  
 Fixing with screws or/and claws.

2. RANGE

SWITCHES AND 2-WAY SWITCHES 10 AX - 250 V~ - with claws

Description	White	Ivory
Switch	7 645 00	7 646 00
Two-way switch	7 645 01	7 646 01
Double two-way switch	7 645 02	7 646 02
Three one-way switch	7 645 03	7 646 03
Intermediate switch	7 645 04	7 646 04
Double commutateur	7 645 05	7 646 05
Double switch	7 645 06	7 646 06

3. DIMENSIONS (mm)



References	A	B	C	D
7 645 01/04 - 7 646 01/04	76	76	45.5	14.5
7 645 03 - 7 646 03	76	76	43.5	16
7 645 02/05/06 - 7 646 02/05/06	76	76	60	14.5

4. CONNEXION

Type of terminals: automatics  
 Terminal capacity: 2 x 2.5 mm<sup>2</sup>  
 Stripping length: 13 mm  
 Compatible with flexible or rigid cables.

5. TECHNICAL CHARACTERISTICS

■ 5.1 Mechanical characteristics

Protection against solid bodies and liquids: IP20  
 Protection against impacts: IK 04

■ 5.2 Material characteristics

Polyglass appearance  
 Colour: - White RAL 9003  
 - Ivory RAL 1013  
 Material: - Mechanism housing: PC  
 - Rocker plate: ABS  
 - Halogen free  
 - UV resistant  
 - Claws: steel

Material of the support:

- PC grey RAL 7037  
 - PC grey RAL 7037 + 10 % glass fiber for Cat. Nos 7 64x 03 and 7 64x 04  
 - Halogen free

Self-extinguishing:

+ 850° C / 30 s for insulating parts holding live parts in place.  
 + 650° C / 30 s for other parts made of insulating materials.

■ 5.3 Electrical characteristics

Voltage: 250 V~  
 Current: 10 AX  
 Frequency: 50/60 Hz

■ 5.4 Climatic characteristics

Storage temperature: - 10° C to + 70° C  
 Use temperature: - 5° C to + 40° C