

### 1. USE

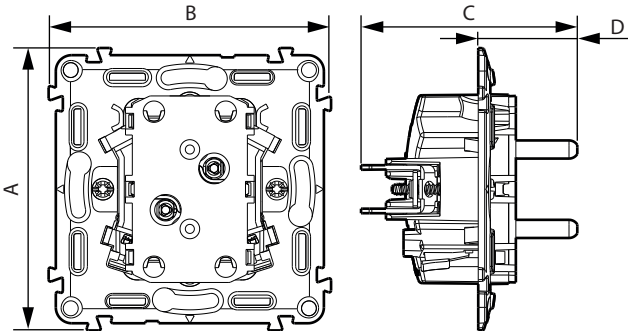
16 A - 250 V~ socket outlet for Poland.  
 Mechanism supplied with protection cover.  
 Flush-mounting or surface-mounting.  
 Screw or claw fixing.

### 2. RANGE

#### Description

2 x 2 P+E socket outlet with shutters To be equipped with plate and cover plate	7 530 95
--	----------

### 4. OVERALL DIMENSIONS (mm)



A	B	C	D
75	75	57.5	26.5

### 5. CONNECTION

Type of terminals: automatic  
 Capacity: 2 x 2.5 mm<sup>2</sup>  
 Stripping length: 13 mm  
 Flexible or rigid cables compatible

### 6. TECHNICAL CHARACTERISTICS

#### ■ 6.1 Mechanical characteristics

Protection against solid bodies and liquids: IP 20  
 Protection against impact: IK 04

#### ■ 6.2 Material characteristics

Polycarbonate  
 Halogen free  
 Claws: galvanised steel

#### Self-extinguishing:

+ 850° C / 30 s for insulating parts holding live parts in place  
 + 650° C / 30 s for other parts made of insulating materials

#### ■ 6.3 Electrical characteristics

Voltage: 250 V~  
 Current: 16 A  
 Frequency: 50/60 Hz

#### ■ 6.4 Climatic characteristics

Storage temperature: - 10° C to + 70° C  
 Use temperature: - 10° C to + 40° C

### 7. STANDARDS AND APPROVALS

Compliance with standards of installation and manufacturing.  
 Refer to e. catalogue.