



Base/Bracket Mounting



Tube Mounting



Accessories

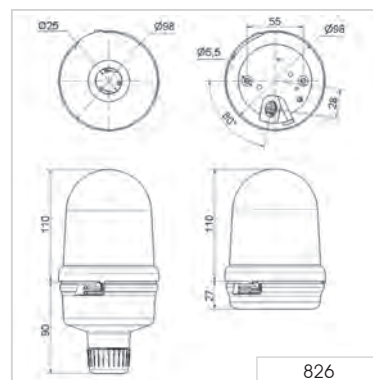
i TECHNICAL SPECIFICATIONS/ORDER SPECIFICATIONS:

	Base/Bracket mounting	Tube mounting
Dimensions (Ø x Height):	98 mm x 137 mm	98 mm x 200 mm
Housing:		PC/ABS-Blend
Lens:		PC, transparent
Connection:		Srew free clamp mechanism max. 1,5 mm ²
Cable entry:		Cable diameter 5-7 mm
Operating voltage:		230 V for BA15d
Bulb:		Max. 15 W
Socket:		BA15d
Bulb not included in assembly.		
Voltage:	12-230 V	12-230 V
red	826 100 00	826 110 00
green	826 200 00	826 210 00
yellow	826 300 00	826 310 00
clear	826 400 00	826 410 00
blue	826 500 00	826 510 00

ACCESSORIES:

Plastic bracket for wall mounting	975 826 05
Wire guard, galvanised, only for base mounting	975 826 03
Tube Ø 25 mm, all anodized aluminium, 100 mm long	975 845 10
Base for tube, plastic, Ø 25 mm	975 840 90
Base for tube, metal, Ø 25 mm	975 840 91
Bulb BA15d, 15 W, total length 48 mm	
Voltage:	24 V AC/DC
	955 826 35
	230 V AC/DC
	955 826 38

TECHNICAL DIAGRAM:



Signalisation index	
Permanent Light	4

Base/Bracket mounting Base/Bracket mounting Tube mounting

